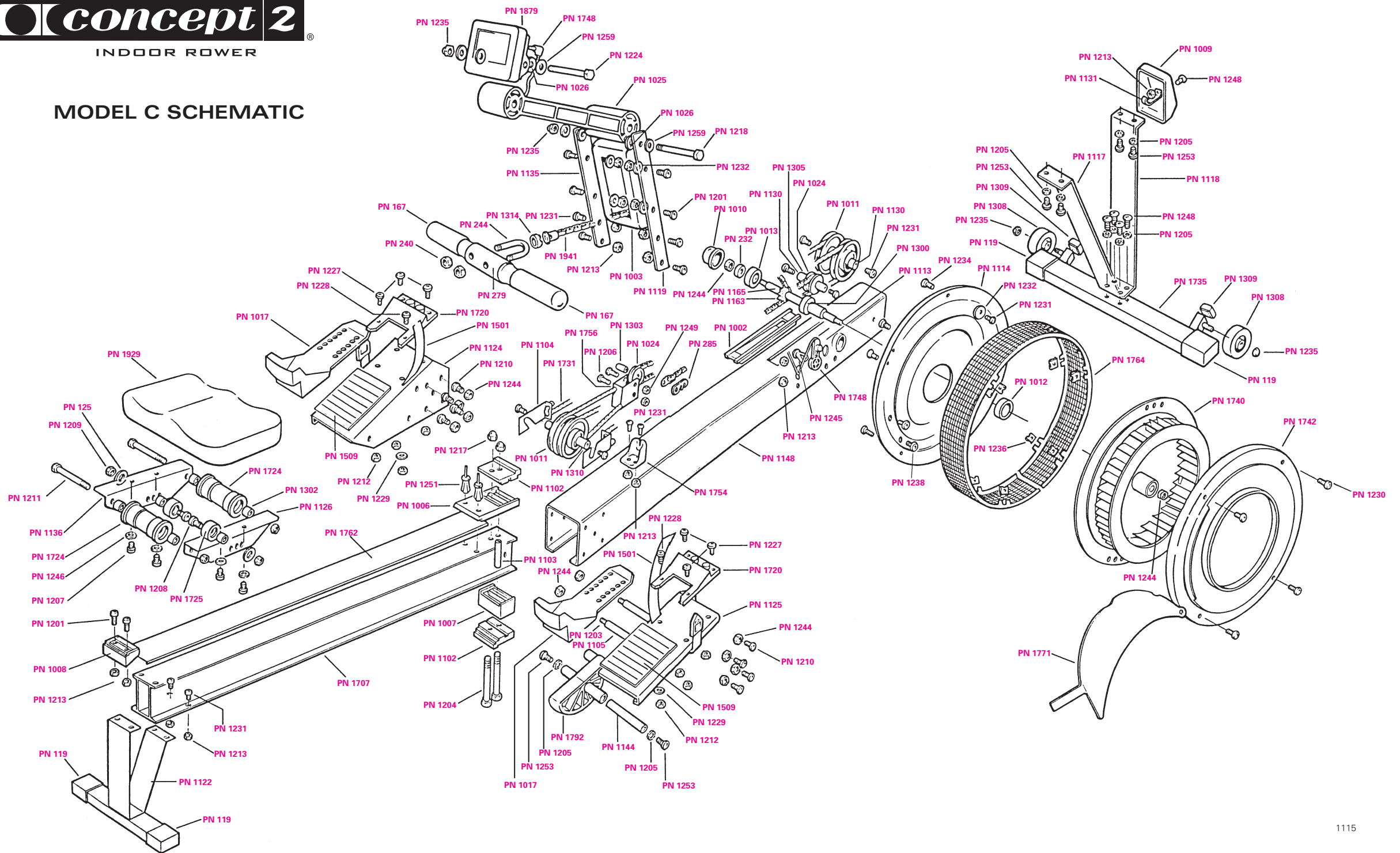


### MODEL C SCHEMATIC





Model C Part Identification List

INDOOR ROWER

PN	Description
119	Molded Foot Cap
125	Washer
167	Handle Grip
232	R8 Bearing
240	Handle U-Bolt Nut
244	Handle U-Bolt
279	Handle w/Grips
285	Small Chain Connector
1002	Anti-throw Device
1003	Chain Guide
1006	Front Bumper Top
1007	Front Bumper Bottom
1008	Rear Bumper
1009	End Cap
1010	Bearing Cover
1011	Shock Cord Pulley
1012	17mm Bearing Cup
1013	R8 Bearing Cup
1017	Flexfoot
1024	Chain Idler Pulley
1025	Monitor Arm
1026	Molded Monitor Arm Washer
1102	Monorail Hanger
1103	Bolt Tube
1104	SCAM
1105	Hanger Bolt Tube
1114	Fan Cover Back (inside pan)
1117	Short Front Leg
1118	Long Front Leg
1119	Chain Guide Bracket Right
1122	Rear Leg
1124	Left Foot Bracket
1125	Right Foot Bracket
1126	Seat Carriage Right
1130	Axle Shock Cord/Chain Idler Pulley
1131	End Cap Hook
1135	Chain Guide Bracket Left
1136	Seat Carriage Left
1144	Frame Lock Axle
1148	Box Frame
1163	14 Tooth Quiet Sprocket (Replaces PN 1112)
1165	Flywheel Axle (Replaces PN 1113)
1201	1/4 - 20 x 3/4" SS Patched Screw
1203	Hanger Bolt
1204	Monorail Hanger Bolt
1205	Lock Washer
1206	Screw for Traveling Pulley
1207	Seat Top Screw
1208	Bottom Seat Roller Bolt
1209	Seat Roller Nut
1210	Screw (Foot Bracket - Box Frame)
1211	Top Seat Roller Bolt

PN	Description
1212	Nut for Toe Piece (Thin Nylock)
1213	Nut 1/4-20 ZP
1217	Acorn Nut
1218	Monitor Arm Bolt (long)
1224	Monitor Bolt
1227	Short Toe Piece Screw
1228	Long Toe Piece Screw
1229	Washer (Flat #8)
1230	Fan Cover Screw
1231	1/4 - 20 x 1/2" SS Patched Screw
1232	Fender Washer
1234	Screw for Back Cover to Exit Perf
1235	Nylock Nut
1236	U-Hole Nut (10/24)
1238	1/4 - 20 x 3/8" SS Patched Screw
1244	Nut (Nylock 3/8 - 16)
1245	Tuflok Screw (Pickup Screw)
1246	Seat Top Lock Washer
1248	Long Allen Screw (1/4 - 20 x 3/4" ss)
1249	Nut for Traveling Pulley Screw
1251	Polydrive Rivet
1253	Short Allen Screw (1/4 - 20 x 5/8" ss)
1259	Flat Washer
1300	17mm Bearing
1302	Seat Roller Spacer
1303	Traveling Pulley Spacer
1305	Chain Idler Spacer
1308	Caster Wheel
1309	Caster Stop
1310	Shock Cord Pulley Axle Spacer
1314	Brass Chain Swivel Bushing
1501	Foot Strap
1509	Heel Pad (Optional)
1707	Monorail w/Track & Hanger Assembly
1720	Toe Piece
1724	Top Seat Roller
1725	Bottom Seat Roller
1731	Shock Cord
1735	Front Foot Assembly
1740	Flywheel Assembly
1742	Damper/Fan Cover Assembly
1748	Monitor Sensor w/Cable
1754	Molded Handle Hook
1756	Traveling Pulley Assembly
1879	PM3 Monitor Retrofit and Assembly
1762	Track
1764	Outlet Perf w/U-Hole Nuts
1771	Damper
1792	Frame Lock w/Cord Assembly
1929	Seat Top
1941	Nickel Chain w/Connectors and Swivel C/D/E